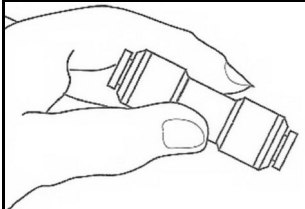


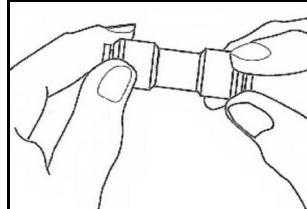
Plastic Push Fit

1



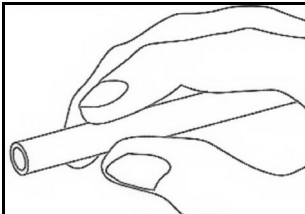
Select the part required for use from the range of Push Fit Connectors

2



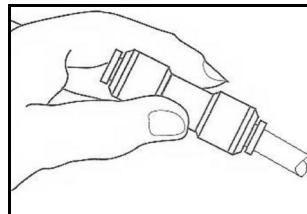
Visually inspect the part to ensure no obstruction is present

3



Prepare the tubing ready for insertion ensuring that the end is cut square

4



Insert tube, ensuring you have reached the stop position, now pull back

Our range of Push In Connectors will provide a secure seal without the use of any special tools.

They can be used for a wide range of materials Including: Nylon, Plastic, Calibrated Copper, Bundy Tubing.

We recommend that they only be used for carrying the following: Air, Water, Petrol Diesel and Oil.

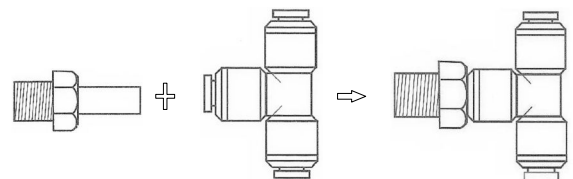
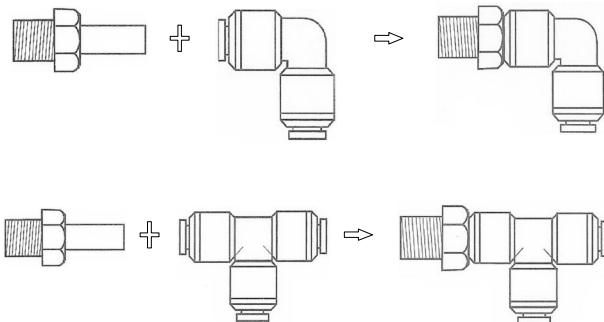
Please Note that under any circumstances they are not to be used for carrying acids or to be used for Braking Systems.

TECHNICAL INFORMATION

Maximum Working Pressure 10 Bar

Minimum Burst Pressure 25 Bar

Temperature Range -25 To +75°C



Plastic Push Fit - Imperial

JG John Guest

Equal Joiners

Part Ref	Tube OD
PFI 1	5/32"
PFI 3	3/16"
PFI 4	1/4"
PFI 5	5/16"
PFI 6	3/8"
PFI 8	1/2"



Equal Elbows

Part Ref	Tube OD
PFI 622	5/32"
PFI 633	3/16"
PFI 644	1/4"
PFI 655	5/16"
PFI 666	3/8"
PFI 688	1/2"



Equal Tees

Part Ref	Tube OD
PFI 922	5/32"
PFI 933	3/16"
PFI 944	1/4"
PFI 955	5/16"
PFI 966	3/8"
PFI 988	1/2"



Blanking Plugs

Part Ref	Tube OD
PFI 1222	5/32"
PFI 1233	3/16"
PFI 1244	1/4"
PFI 1255	5/16"
PFI 1266	3/8"
PFI 1288	1/2"



Male Studs

Part Ref	Thread BSP(T)	Tube OD	Part Ref	Thread BSP(T)	Tube OD
PFI 222	1/8"	5/32"	PFI 246	1/4"	3/8"
PFI 223	1/8"	3/16"	PFI 265	3/8"	5/16"
PFI 224	1/8"	1/4"	PFI 266	3/8"	3/8"
PFI 225	1/8"	5/16"	PFI 268	3/8"	1/2"
PFI 244	1/4"	1/4"	PFI 288	1/2"	1/2"
PFI 245	1/4"	5/16"			



Plastic Push Fit - Imperial

JG John Guest

Unequal Joiners

Part Ref	Tube OD
PFI 43	1/4" x 3/16"
PFI 53	5/16" x 3/16"
PFI 54	5/16" x 1/4"
PFI 64	3/8" x 1/4"
PFI 65	3/8" x 5/16"
PFI 86	1/2" x 3/8"



Unequal Elbows

Part Ref	Tube OD
PFI 652	5/16" x 5/32"
PFI 653	5/16" x 3/16"
PFI 654	5/16" x 1/4"
PFI 663	3/8" x 3/16"
PFI 664	3/8" x 1/4"
PFI 665	3/8" x 5/16"
PFI 686	1/2" x 3/8"



Unequal Tees

Part Ref	Tube OD
PFI 986	1/2" x 3/8"



Equal Bulkheads

Part Ref	Thread
PFI 21	5/32"
PFI 23	3/16"
PFI 24	1/4"
PFI 25	5/16"
PFI 26	3/8"
PFI 28	1/2"



Equal Dividers

Part Ref	Tube OD
PFI 1005	5/16"
PFI 1006	3/8"



Swivel Tees

Part Ref	Thread BSP(T)	Tube OD	Part Ref	Thread BSP(T)	Tube OD
PFI 522	1/8"	5/32"	PFI 545	1/4"	5/16"
PFI 523	1/8"	3/16"	PFI 546	1/4"	3/8"
PFI 524	1/8"	1/4"	PFI 565	3/8"	5/16"
PFI 525	1/8"	5/16"	PFI 566	3/8"	3/8"
PFI 542	1/4"	5/32"	PFI 568	3/8"	1/2"
PFI 544	1/4"	1/4"	PFI 588	1/2"	1/2"



Plastic Push Fit - Imperial

JG John Guest



Swivel
Elbows

Part Ref	Thread BSP(T)	Tube OD
PFI 442	1/8"	5/32"
PFI 423	1/8"	3/16"
PFI 424	1/8"	1/4"
PFI 425	1/8"	5/16"
PFI 442	1/4"	5/32"
PFI 444	1/4"	1/4"
PFI 445	1/4"	5/16"
PFI 446	1/4"	3/8"
PFI 465	3/8"	5/16"
PFI 466	3/8"	3/8"
PFI 468	3/8"	1/2"
PFI 488	1/2"	1/2"



Stud
Stems

Part Ref	Thread BSP(T)	Tube OD
PFI 322	1/8"	5/32"
PFI 323	1/8"	3/16"
PFI 324	1/8"	1/4"
PFI 325	1/8"	5/16"
PFI 342	1/4"	5/32"
PFI 344	1/4"	1/4"
PFI 345	1/4"	5/16"
PFI 346	1/4"	3/8"
PFI 365	3/8"	5/16"
PFI 366	3/8"	3/8"
PFI 368	3/8"	1/2"
PFI 388	1/2"	1/2"



Stem
Elbows

Part Ref	Stem OD	Tube OD
PFI 822	5/32"	5/32"
PFI 833	3/16"	3/16"
PFI 844	1/4"	1/4"
PFI 855	5/16"	5/16"
PFI 863	3/8"	3/16"
PFI 864	3/8"	1/4"
PFI 865	3/8"	5/16"
PFI 866	3/8"	3/8"
PFI 888	1/2"	1/2"

Part Ref	Stem OD	Tube OD
PFI 153	3/16"	5/16"
PFI 154	1/4"	5/16"
PFI 165	5/16"	3/8"
PFI 186	3/8"	1/2"

Stud
Reducers



Part Ref	Tube OD
PFI 1104	1/4"
PFI 1106	3/8"

Stop
Ends



Part Ref	Tube OD
PFI 9666	3/8"

Equal Cross



Plastic Push Fit - Metric

JG John Guest

Equal Joiners

Part Ref	Tube OD
PFM 4	4 mm
PFM 5	5 mm
PFM 6	6 mm
PFM 8	8 mm
PFM 10	10 mm
PFM 12	12 mm
PFM 15	15 mm
PFM 18	18 mm
PFM 20	20 mm



Equal Elbows

Part Ref	Tube OD
PFM 54	4 mm
PFM 55	5 mm
PFM 56	6 mm
PFM 58	8 mm
PFM 510	10 mm
PFM 512	12 mm
PFM 515	15 mm
PFM 518	18 mm



Equal Tees

Part Ref	Tube OD
PFM 74	4 mm
PFM 75	5 mm
PFM 76	6 mm
PFM 78	8 mm
PFM 710	10 mm
PFM 712	12 mm
PFM 715	15 mm
PFM 718	18 mm



Blanking Plugs

Part Ref	Tube OD
PFM 44	4 mm
PFM 45	5 mm
PFM 46	6 mm
PFM 48	8 mm
PFM 410	10 mm
PFM 412	12 mm
PFM 415	15 mm
PFM 418	18 mm



Part Ref	Thread	Tube OD	Part Ref	Thread	Tube OD
	"BSPT"			"BSPT"	
PFM 214	1/8"	4 mm	PFM 248	1/4"	8 mm
PFM 244	1/4"	4 mm	PFM 268	3/8"	8 mm
PFM 215	1/8"	5 mm	PFM 2410	1/4"	10 mm
PFM 245	1/4"	5 mm	PFM 2610	3/8"	10 mm
PFM 216	1/8"	6 mm	PFM 2810	1/2"	10 mm
PFM 246	1/4"	6 mm	PFM 2612	3/8"	12 mm
PFM 218	1/8"	8 mm	PFM 2812	1/2"	12 mm

Male Studs



Plastic Push Fit - Metric

JG John Guest

Unequal Joiners

Part Ref	Tube OD "mm"
PFM 64	6 x 4
PFM 84	8 x 4
PFM 86	8 x 6
PFM 104	10 x 4
PFM 106	10 x 6
PFM 108	10 x 8
PFM 128	12 x 8
PFM 1210	12 x 10



Unequal Elbows

Part Ref	Tube OD "mm"
PFM 564	6 x 4
PFM 584	8 x 4
PFM 586	8 x 6
PFM 5104	10 x 4
PFM 5106	10 x 6
PFM 5108	10 x 8
PFM 5128	12 x 8
PFM 5120	12 x 10



Equal Dividers

Part Ref	Tube OD
PFM 1004	4 mm
PFM 1006	6 mm
PFM 1008	8 mm
PFM 1010	10 mm
PFM 1012	12 mm



Equal Bulkheads

Part Ref	Thread
PFM 24	4 mm
PFM 25	5 mm
PFM 26	6 mm
PFM 28	8 mm
PFM 210	10 mm
PFM 212	12 mm



Swivel Tees

Part Ref	Thread BSP(T)	Tube OD	Part Ref	Thread BSP(T)	Tube OD
PFM 824	1/8"	4 mm	PFM 848	1/4"	8 mm
PFM 844	1/4"	4 mm	PFM 868	3/8"	8 mm
PFM 825	1/8"	5 mm	PFM 8410	1/4"	10 mm
PFM 845	1/4"	5 mm	PFM 8610	3/8"	10 mm
PFM 826	1/8"	6 mm	PFM 8810	1/2"	10 mm
PFM 846	1/4"	6 mm	PFM 8612	3/8"	12 mm
PFM 828	1/8"	8 mm	PFM 8812	1/2"	12 mm



Plastic Push Fit - Metric

JG John Guest



Swivel
Elbows

Part Ref	Thread BSP(T)	Tube OD
PFM 624	1/8"	4 mm
PFM 644	1/4"	4 mm
PFM 625	1/8"	5 mm
PFM 645	1/4"	5 mm
PFM 626	1/8"	6 mm
PFM 646	1/4"	6 mm
PFM 628	1/8"	8 mm
PFM 648	1/4"	8 mm
PFM 668	3/8"	8 mm
PFM 6410	1/4"	10 mm
PFM 6610	3/8"	10 mm
PFM 6810	1/2"	10 mm
PFM 6612	3/8"	12 mm
PFM 6812	1/2"	12 mm



Stud
Stems

Part Ref	Thread BSP(T)	Tube OD
PFM 314	1/8"	4 mm
PFM 344	1/4"	4 mm
PFM 315	1/8"	5 mm
PFM 345	1/4"	5 mm
PFM 316	1/8"	6 mm
PFM 346	1/4"	6 mm
PFM 318	1/8"	8 mm
PFM 348	1/4"	8 mm
PFM 368	3/8"	8 mm
PFM 3410	1/4"	10 mm
PFM 3610	3/8"	10 mm
PFM 3810	1/2"	10 mm
PFM 3612	3/8"	12 mm
PFM 3812	1/2"	12 mm



Stem
Elbows

Part Ref	Stem OD	Tube OD
PFM 544	4 mm	4 mm
PFM 555	5 mm	5 mm
PFM 566	6 mm	6 mm
PFM 588	8 mm	8 mm
PFM 51010	10 mm	10 mm
PFM 51212	12 mm	12 mm

John Guest Super Thread Swivel
Tee's / Elbow's and Stem Adaptors are
available upon Request

Stud Reducers



Part Ref	Stem OD	Tube OD
PFM 154	5 mm	4 mm
PFM 164	6 mm	4 mm
PFM 165	6 mm	5 mm
PFM 184	8 mm	4 mm
PFM 185	8 mm	5 mm
PFM 186	8 mm	6 mm
PFM 1106	10 mm	6 mm
PFM 1108	10 mm	8 mm
PFM 1128	12 mm	8 mm
PFM 11210	12 mm	10 mm

Plastic Push Fit - Assorted Boxes

Part Ref:
PFMASB/GUEST

Part Ref	Qty
PFM 4	5
PFM 6	5
PFM 8	5
PFM 10	5
PFM 12	5



Part Ref:
PFIASB

Part Ref	Qty
PFI 1	3
PFI 3	3
PFI 4	3
PFI 5	3
PFI 6	3
PFI 8	3



Part Ref:
PFMAEB/GUEST

Part Ref	Qty
PFM 54	5
PFM 56	5
PFM 58	5
PFM 510	5
PFM 512	5



Part Ref: **PFIAEB**

Part Ref	Qty
PFI 633	3
PFI 644	3
PFI 655	3
PFI 666	3
PFI 688	3



Part Ref:
PFMATB/GUEST

Part Ref	Qty
PFM 74	4
PFM 76	4
PFM 78	4
PFM 710	3
PFM 712	3



Part Ref:
PFIATB

Part Ref	Qty
PFI 933	3
PFI 944	3
PFI 955	3
PFI 966	2
PFI 988	2



Part Ref

TC2/G

Cuts up to 22 mm



Part Ref

TC1

Cuts up to 12 mm

